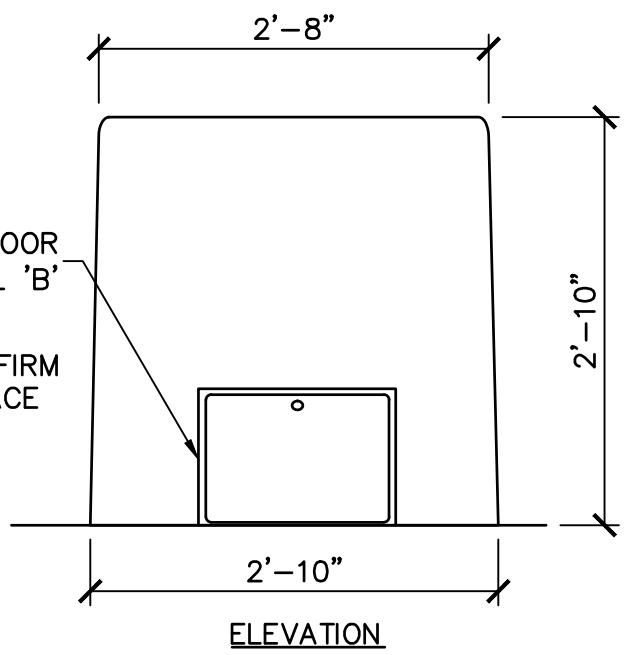
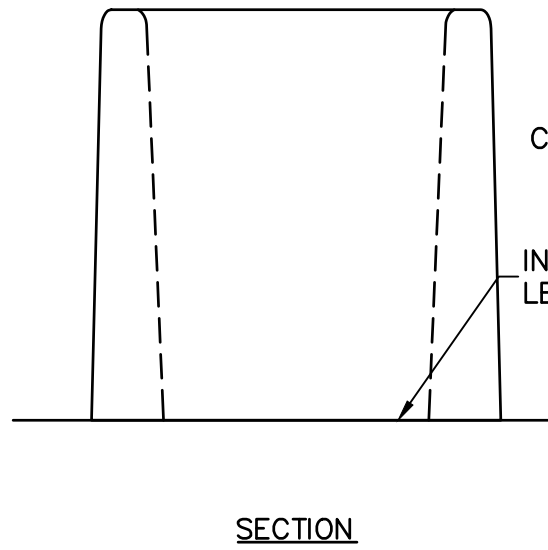


ELEVATION

(B) CLEANOUT DOOR



PRECAST CONCRETE FAMILY BARBECUE TO BE OUTDOOR CREATIONS MODEL #300A, KAHLUA COLOR, SMOOTH TOP, STANDARD ACRYLIC FINISH. WEIGHT: 1800 LBS.

(A) CONCRETE FAMILY BARBECUE - PLAN AND ELEVATIONS



CONCRETE BARBECUES

REVIEWED BY THE PARK STANDARDS COMMITTEE, AND APPROVED BY THE CHIEF OF DESIGN & CONSTRUCTION

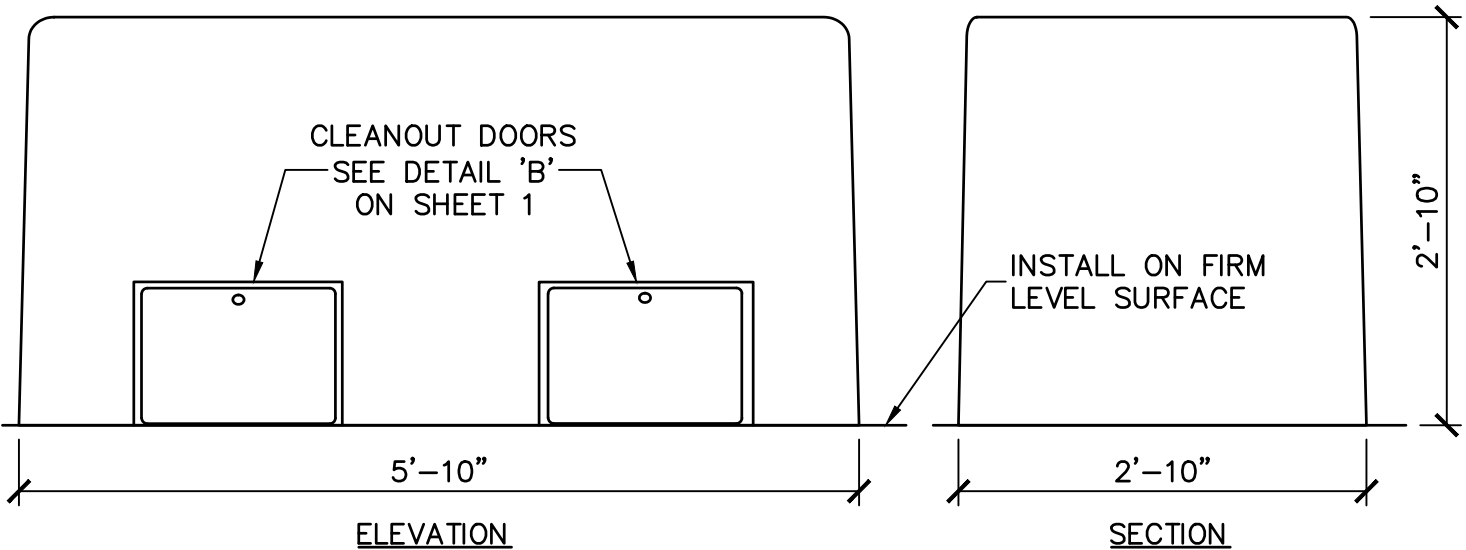
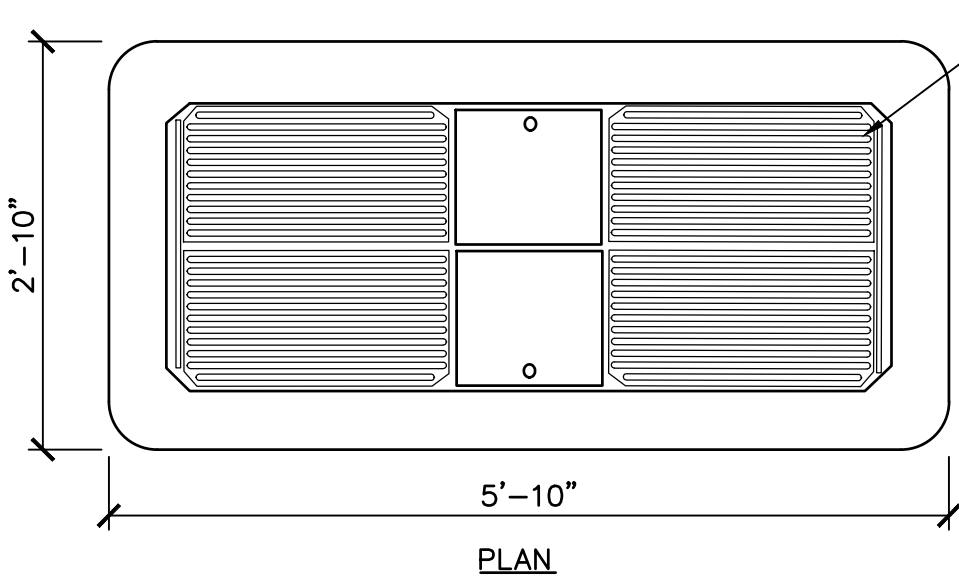
Signature

04/04/2022

STD PLAN

522

SHEET 1 OF 4
NOT TO SCALE



PRECAST CONCRETE GROUP BARBECUE TO BE OUTDOOR CREATIONS MODEL #3001A, KAHLUA COLOR, SMOOTH TOP, STANDARD ACRYLIC FINISH. WEIGHT: 3150 LBS.

© CONCRETE GROUP BARBECUE – PLAN AND ELEVATIONS



CONCRETE BARBECUES

REVIEWED BY THE PARK STANDARDS COMMITTEE, AND APPROVED BY THE CHIEF OF DESIGN & CONSTRUCTION

Signature

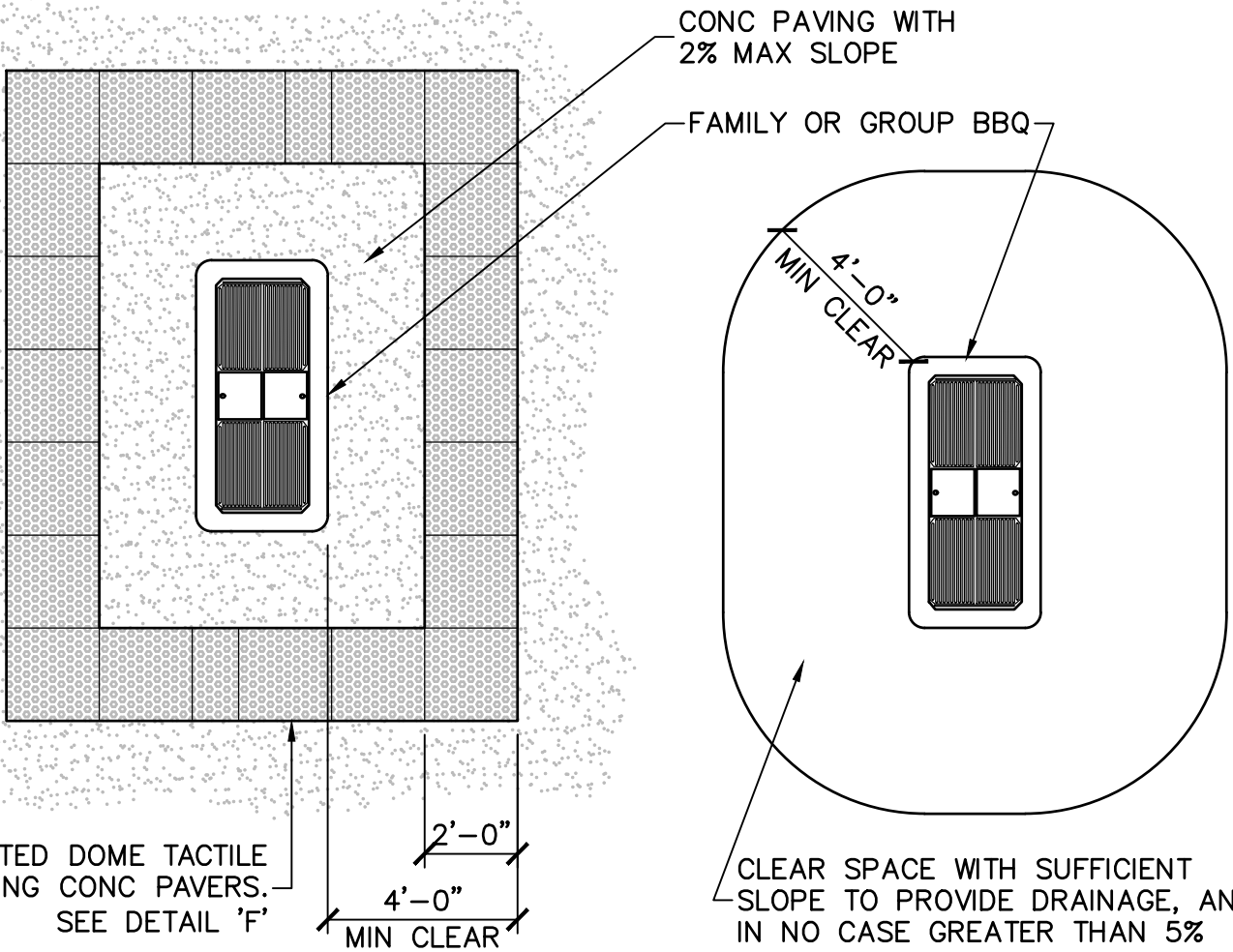
04/04/2022

STD PLAN

522

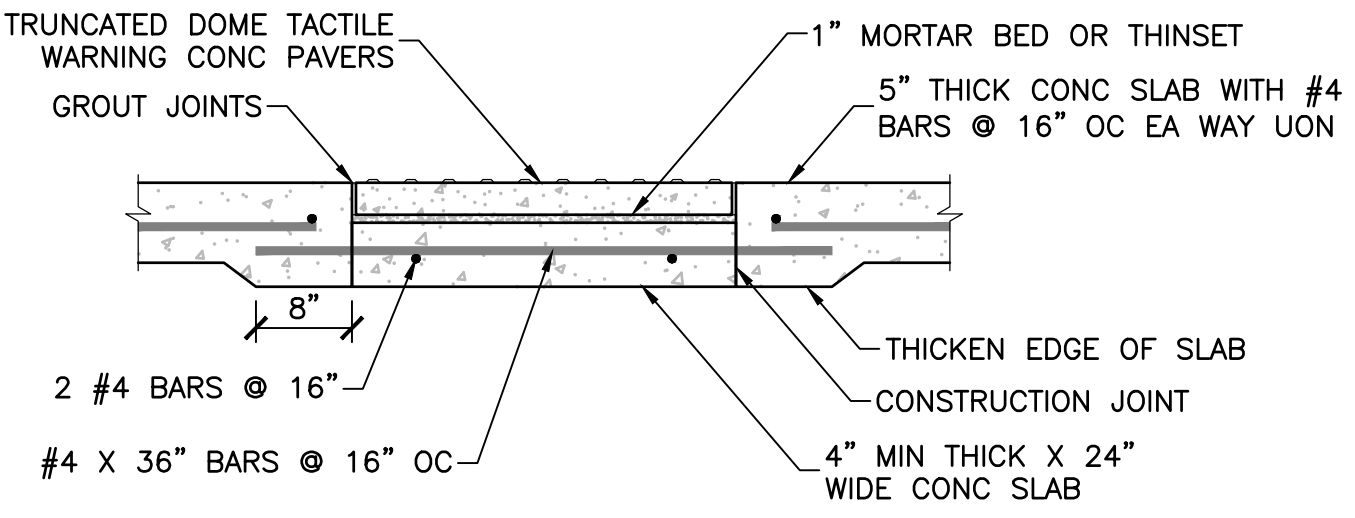
SHEET **2** OF **4**
NOT TO SCALE

EAST BAY REGIONAL PARK DISTRICT - STANDARD PLANS



(D) PAVED AREA

(E) UNPAVED AREA



(F) TACTILE WARNING PAVER INSTALLATION



CONCRETE BARBECUES

REVIEWED BY THE PARK STANDARDS COMMITTEE, AND APPROVED BY THE CHIEF OF DESIGN & CONSTRUCTION

E. G. G.

04/04/2022

STD PLAN

522

SHEET **3** OF **4**
NOT TO SCALE

NOTES AND SPECIFICATIONS

1. ADA ACCESSIBLE FIRE RING AND BARBECUE CLEAR SPACE REQUIREMENTS (CALIFORNIA STATE PARKS ACCESSIBILITY GUIDELINES):
 - a. GRILLS, FIRE RINGS, ETC. SHALL BE PLACED SUCH THAT THERE IS A MINIMUM 48" CLEAR SPACE (360°) SURROUNDING THE COOKING FACILITY.
 - b. GRILLS, FIRE RINGS, ETC. SHALL BE SURROUNDED BY A FIRM, STABLE GROUND SURFACE. A FIRM SURFACE IS ONE WHICH DOES NOT GIVE WAY SIGNIFICANTLY UNDER FOOT AND RESISTS INDENTATION FROM A PERSON'S FOOT, WHEELCHAIR OR OTHER ASSISTIVE MOBILITY DEVICE.
 - c. THE MAXIMUM SLOPE OF THE CLEAR SPACE SURROUNDING GRILLS, FIRE RINGS, ETC. SHALL BE 2% FOR PAVED SURFACES, AND UP TO 5% AS REQUIRED FOR DRAINAGE OF UNPAVED SURFACES.
 - d. IN ACCESSIBLE, DEVELOPED CAMPGROUND SITES AND PICNIC AREAS WHERE CONCRETE OR OTHER HARD SURFACE PAVING EXISTS OR IS TO BE INSTALLED, A DETECTABLE WARNING SHALL BE PROVIDED AROUND THE GRILL, FIRE RING, ETC. TO ALERT BLIND AND VISUALLY IMPAIRED PERSONS TO THE LOCATION OF THE GRILL, FIRE RING, ETC. THIS WARNING SURFACE SHALL HAVE A MINIMUM DEPTH OF 24" AND SHALL PROVIDE CLEAR VISUAL CONTRAST FROM THE IMMEDIATE ADJOINING SURFACES.

2. TACTILE WARNING PAVERS
 - a. REQUIRED WHEREVER GRILL IS INSTALLED IN A PAVED AREA.
 - b. CONCRETE PAVERS, MIN 28-DAY COMPRESSIVE STRENGTH $f'_c = 5,000$ PSI.
 - c. 2" MIN THICKNESS X 24" NOMINAL DIMENSIONS.
 - d. CHARCOAL COLOR
 - e. DETECTABLE WARNINGS SHALL CONSIST OF RAISED TRUNCATED DOMES WITH A DIAMETER OF NOMINAL 0.9" (23mm), A HEIGHT OF NOMINAL 0.2" (5mm), AND A CENTER-TO-CENTER SPACING OF NOMINAL 2.35" (60mm).
 - f. MANUFACTURER/SUPPLIER: WAUSAU TILE (WWW.WAUSAUTILE.COM), STEPSTONE, INC. (WWW.STEPSTONEINC.COM), HANOVER ARCHITECTURAL PRODUCTS (WWW.HANOVERPAVERS.COM), OR EQUAL.

3. BARBECUE MANUFACTURER:

OUTDOOR CREATIONS, INC.
2270 BARNEY STREET, ANDERSON, CA 96007
PHONE: (530) 365-6106
WEB: OUTDOORCREATIONS.COM



CONCRETE BARBECUES

REVIEWED BY THE PARK STANDARDS COMMITTEE, AND APPROVED BY THE CHIEF OF DESIGN & CONSTRUCTION

04/04/2022

EAST BAY REGIONAL PARK DISTRICT - STANDARD PLANS

STD PLAN

522

SHEET **4** OF **4**
NOT TO SCALE