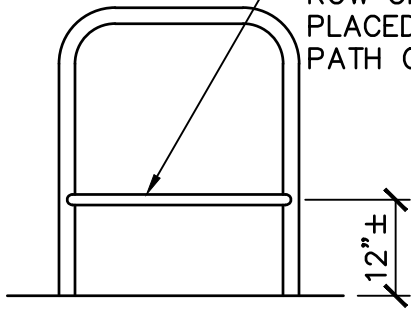
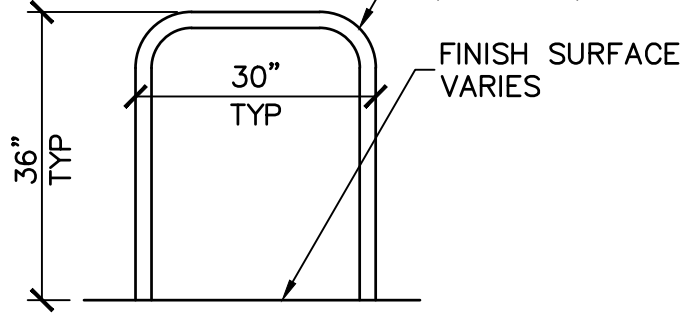


CANE DETECTABLE CROSS TUBE  
 1" SCH. 40 PIPE (1.315" OD) MIN.  
 CANE DETECTABLE CROSS TUBE  
 IS REQUIRED AT EACH END OF  
 ROW OF BIKE RACKS WHEN  
 PLACED ALONG A PEDESTRIAN  
 PATH OF TRAVEL.

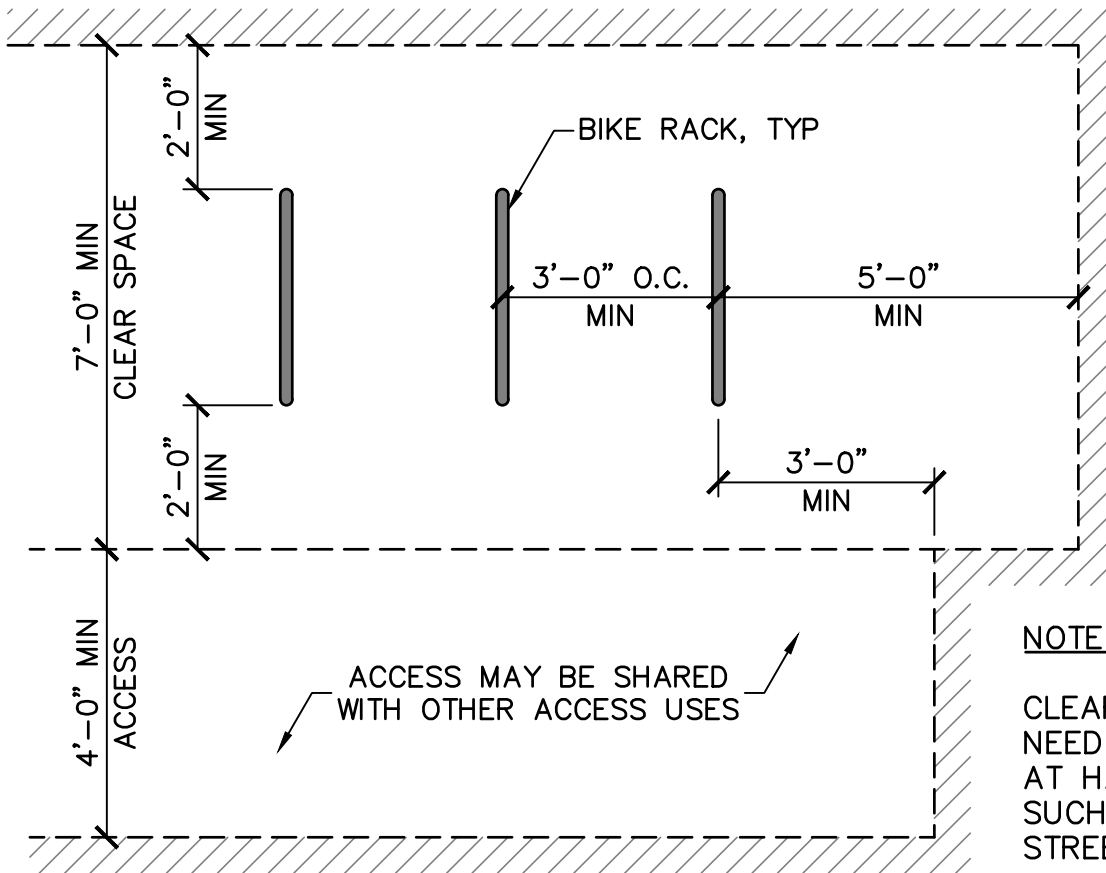


(C) CANE DETECTABLE CROSS TUBE

1.5" SCH 40 HOT-DIPPED  
 GALVANIZED STEEL PIPE  
 (1.90" OD)



(B) STAPLE-STYLE BIKE RACK ELEVATION



**NOTE**

CLEARANCES NOTED MAY  
 NEED TO BE INCREASED  
 AT HAZARDOUS LOCATIONS  
 SUCH AS ADJACENT TO  
 STREETS AND UTILITIES.

(A) TYPICAL CLEARANCE PLAN



**BIKE RACK**

REVIEWED BY THE PARK STANDARDS COMMITTEE, AND  
 APPROVED BY THE CHIEF OF DESIGN & CONSTRUCTION

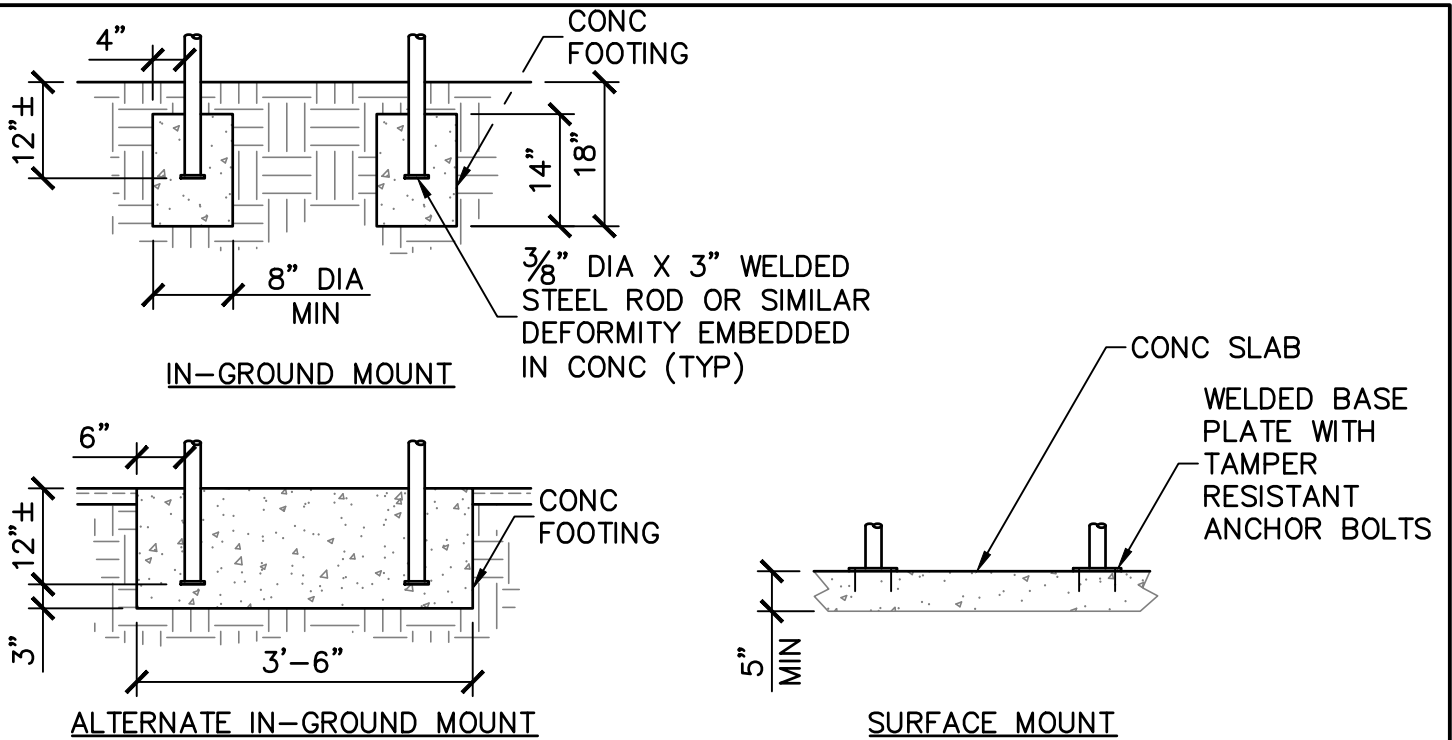
*[Signature]*

07/26/2023

STD PLAN

**415**

SHEET 1 OF 2  
 NOT TO SCALE



(D) MOUNTING DETAILS

GENERAL

1. PROVIDE PERMANENTLY ANCHORED BICYCLE RACKS WITHIN 200 FEET OF THE VISITORS' ENTRANCE, READILY VISIBLE TO PASSERS-BY, FOR 5 PERCENT OF NEW VISITOR MOTORIZED VEHICLE PARKING SPACES BEING ADDED, WITH A MINIMUM OF ONE TWO-BIKE CAPACITY RACK.
2. ADDITIONS OR ALTERATIONS WHICH ADD NINE OR FEWER VISITOR VEHICULAR PARKING SPACES MAY BE EXEMPT FROM ADDING BICYCLE RACKS.
3. LOCAL ORDINANCE MAY REQUIRE MORE BICYCLE RACKS.

MATERIALS

1. CONCRETE SHALL BE COMMERCIAL 5-SACK PRE-MIX CONCRETE OR EQUIVALENT.
2. ANCHOR BOLTS SHALL BE STAINLESS STEEL
  - 2.1. MINIMUM OF ONE ANCHOR BOLT AT EACH END OF BIKE RACK SHALL BE TAMPER RESISTANT (BREAKAWAY NUT, ANTI-THEFT SECURITY BOLT, ROUND HEAD ONE-PIECE HAMMER DRIVE, OR EQUAL).

WORKMANSHIP

3. LOCATE UNDERGROUND UTILITIES PRIOR TO DIGGING. CALL USA (UNDERGROUND SERVICE ALERT) 1-800-277-2600, MON THRU FRI 6AM TO 7PM, A MINIMUM 2 WORKING DAYS WITH A MAXIMUM 14 CALENDAR DAYS, TO OBTAIN A TICKET. CONTACT THE DISTRICT INSPECTOR OR PARK SUPERVISOR FOR DISTRICT UTILITIES NOT LOCATED BY USA.



**BIKE RACK**

REVIEWED BY THE PARK STANDARDS COMMITTEE, AND APPROVED BY THE CHIEF OF DESIGN & CONSTRUCTION

07/26/2023

**EAST BAY REGIONAL PARK DISTRICT - STANDARD PLANS**

STD PLAN

**415**

SHEET **2** OF **2**  
NOT TO SCALE